

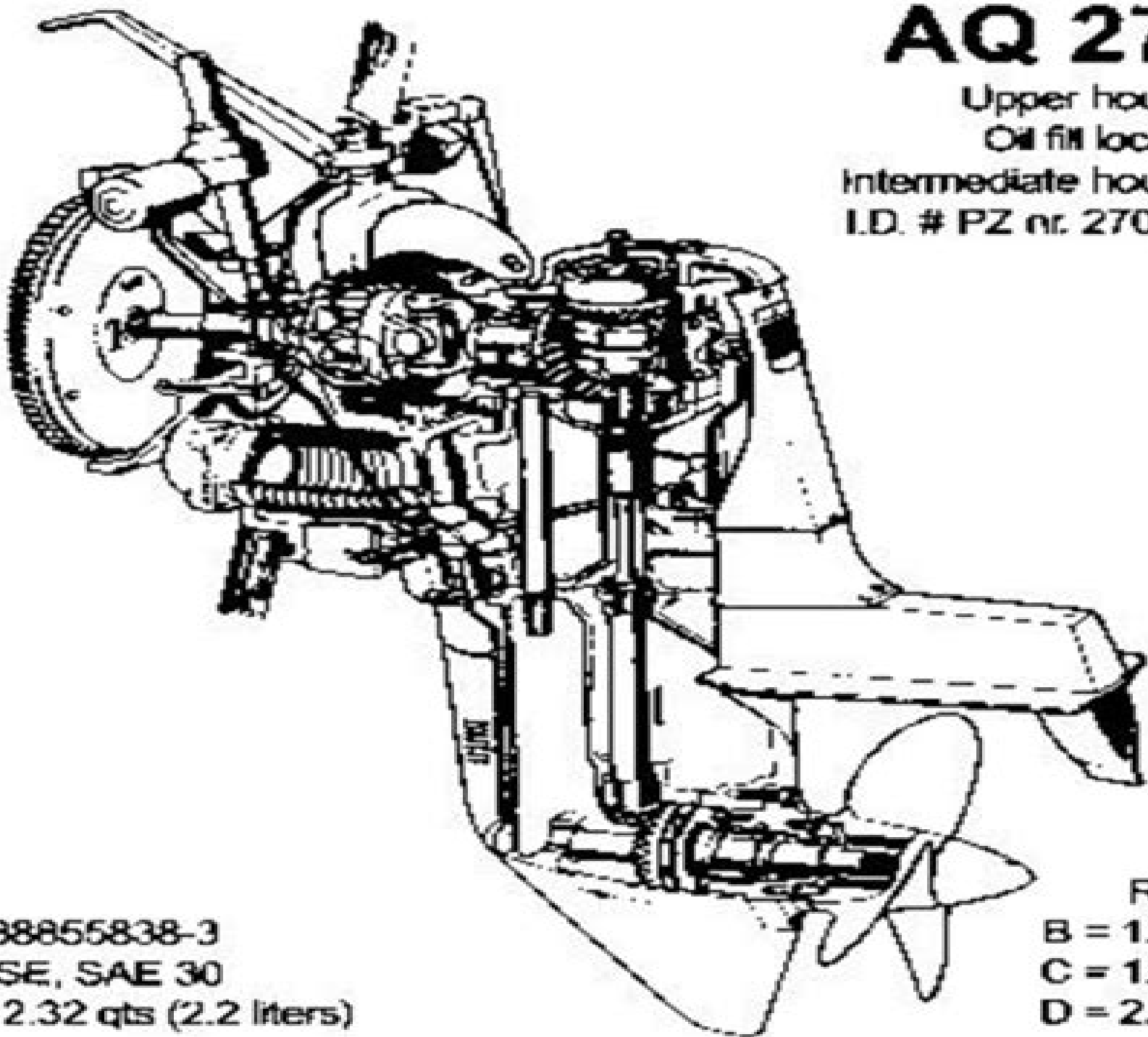
# AQ 270

Upper housing

Oil fill location

Intermediate housing

I.D. # PZ nr. 270xxxx



Oil: 38855838-3  
API SE, SAE 30  
Qty: 2.32 qts (2.2 liters)

Ratio:  
B = 1.61:1  
C = 1.89:1  
D = 2.15:1

# **Volvo Penta Aq Workshop Manual 270**

**John Harold Haynes**



Volvo Penta Aq Workshop Manual 270
<b>VOLVO PENTA MD 11C, C, MD 17C, D</b> Volvo Penta,2014-03-01
<b>VOLVO PENTA MD 5</b> Volvo Penta,2015-04-13
VOLVO PENTA MD2010, MD2020, MD2030, MD2040 Volvo Penta,2014-03-02
Volvo Penta MD2010, MD2020, MD2030, MD2040 N N,2012-05 Workshop Manual for Volvo Penta Marine Engines MD2010 MD2020 MD2030 MD2040
<b>Volvo Penta Stern Drive Shop Manual 2001-2004</b> Penton Staff,2000-05-24 30GS 3 0L in line 4 cylinder 135 HP 43GL 4 3L V 6 160 HP 43GI 4 3L V 6 180 HP 43GXI 4 3L V 6 210 HP 50GL 5 0L V 8 220 HP 50GI 5 0L V 8 250 HP 50GXI 5 0L V 8 270 HP 57GS 5 7L V 8 225 HP 57GS 5 7L V 8 250 HP 57GSI 5 7L V 8 280 H
<b>Workshop Manual Engine Unit AQ 150-150A-150B.</b> Volvo Penta (Firm). Technical Information Department,1967
<b>Marine Diesel Basics 1</b> Dennison Berwick,2017-05-11 Seeing is Understanding The first VISUAL guide to marine diesel systems on recreational boats Step by step instructions in clear simple drawings explain how to maintain winterize and recommission all parts of the system fuel deck fill engine batteries transmission stern gland propeller Book one of a new series Canadian author is a sailor and marine mechanic cruising aboard his 36 foot steel hulled Chevrier sloop Illustrations 300 drawings Pages 222 pages Published 2017 Format softcover Category Inboards Gas Diesel
<b>Volvo 240 Series Automotive Repair Manual</b> John Harold Haynes,Bruce Gilmour,Colin Gilmour,1990-01-01
<b>Seloc's Volvo Penta Stern Drive</b> Joan Coles,Clarence Coles,1989
Volvo 240 Series Service and Repair Manual Robert Maddox,Steve Churchill,1996 240 242 244 245 inc special limited editions Petrol 2 0 litre 1986cc 2 1 litre 2127cc 2 3 litre 2316cc OHC Does NOT cover OHV engines
<b>Seloc's Volvo Penta Stern Drive</b> Joan Coles,Clarence W. Coles,1987
Volvo S40 and V50 Diesel Owner's Workshop Manual, 07-13 Chris Randall,2016-10
SELOC Volvo Penta Stern Drives, 1968-91 Repair Manual Joan Coles,1998
Volvo 440, 460 and 480 Owners Workshop Manual A. K. Legg,1993
<b>Volvo 400 Series Service and Repair Manual</b> A. K. Legg,1999 Hatchback Saloon Coupe inc Turbo special limited editions Petrol 1 6 litre 1596cc 1 7 litre 1721cc 1 8 litre 1794cc 2 0 litre 1998cc
<b>Volvo 240 Series Owners Workshop Manual</b> John Harold Haynes,Bruce Gilmour (Writer on automobile repair),1978
Seloc's Volvo Penta Stern Drive Tune-up and Repair Manual Clarence W. Coles,Joan Coles,1983
Volvo 142, 144 and 145 Owner Workshop Manual John Harold Haynes,2012-10-01 An owners workshop manual for the Volvo 142 144 and 145

*Workshop Manual for Volvo 140 Series* Intereurope Ltd,1972

**Volvo 140 Series Owners Workshop Manual** John Harold Haynes,1982

Getting the books **Volvo Penta Aq Workshop Manual 270** now is not type of challenging means. You could not isolated going in the same way as books increase or library or borrowing from your friends to entre them. This is an utterly simple means to specifically get guide by on-line. This online pronouncement Volvo Penta Aq Workshop Manual 270 can be one of the options to accompany you considering having further time.

It will not waste your time. understand me, the e-book will completely tell you supplementary business to read. Just invest tiny get older to admittance this on-line broadcast **Volvo Penta Aq Workshop Manual 270** as competently as review them wherever you are now.

## **Table of Contents Volvo Penta Aq Workshop Manual 270**

1. Understanding the eBook Volvo Penta Aq Workshop Manual 270
  - The Rise of Digital Reading Volvo Penta Aq Workshop Manual 270
  - Advantages of eBooks Over Traditional Books
2. Identifying Volvo Penta Aq Workshop Manual 270
  - Exploring Different Genres
  - Considering Fiction vs. Non-Fiction
  - Determining Your Reading Goals
3. Choosing the Right eBook Platform
  - Popular eBook Platforms
  - Features to Look for in an Volvo Penta Aq Workshop Manual 270
  - User-Friendly Interface
4. Exploring eBook Recommendations from Volvo Penta Aq Workshop Manual 270
  - Personalized Recommendations
  - Volvo Penta Aq Workshop Manual 270 User Reviews and Ratings
  - Volvo Penta Aq Workshop Manual 270 and Bestseller Lists
5. Accessing Volvo Penta Aq Workshop Manual 270 Free and Paid eBooks
  - Volvo Penta Aq Workshop Manual 270 Public Domain eBooks
  - Volvo Penta Aq Workshop Manual 270 eBook Subscription Services
  - Volvo Penta Aq Workshop Manual 270 Budget-Friendly Options

6. Navigating Volvo Penta Aq Workshop Manual 270 eBook Formats
  - ePub, PDF, MOBI, and More
  - Volvo Penta Aq Workshop Manual 270 Compatibility with Devices
  - Volvo Penta Aq Workshop Manual 270 Enhanced eBook Features
7. Enhancing Your Reading Experience
  - Adjustable Fonts and Text Sizes of Volvo Penta Aq Workshop Manual 270
  - Highlighting and Note-Taking Volvo Penta Aq Workshop Manual 270
  - Interactive Elements Volvo Penta Aq Workshop Manual 270
8. Staying Engaged with Volvo Penta Aq Workshop Manual 270
  - Joining Online Reading Communities
  - Participating in Virtual Book Clubs
  - Following Authors and Publishers Volvo Penta Aq Workshop Manual 270
9. Balancing eBooks and Physical Books Volvo Penta Aq Workshop Manual 270
  - Benefits of a Digital Library
  - Creating a Diverse Reading Collection Volvo Penta Aq Workshop Manual 270
10. Overcoming Reading Challenges
  - Dealing with Digital Eye Strain
  - Minimizing Distractions
  - Managing Screen Time
11. Cultivating a Reading Routine Volvo Penta Aq Workshop Manual 270
  - Setting Reading Goals Volvo Penta Aq Workshop Manual 270
  - Carving Out Dedicated Reading Time
12. Sourcing Reliable Information of Volvo Penta Aq Workshop Manual 270
  - Fact-Checking eBook Content of Volvo Penta Aq Workshop Manual 270
  - Distinguishing Credible Sources
13. Promoting Lifelong Learning
  - Utilizing eBooks for Skill Development
  - Exploring Educational eBooks
14. Embracing eBook Trends
  - Integration of Multimedia Elements

- Interactive and Gamified eBooks

## **Volvo Penta Aq Workshop Manual 270 Introduction**

In this digital age, the convenience of accessing information at our fingertips has become a necessity. Whether its research papers, eBooks, or user manuals, PDF files have become the preferred format for sharing and reading documents. However, the cost associated with purchasing PDF files can sometimes be a barrier for many individuals and organizations. Thankfully, there are numerous websites and platforms that allow users to download free PDF files legally. In this article, we will explore some of the best platforms to download free PDFs. One of the most popular platforms to download free PDF files is Project Gutenberg. This online library offers over 60,000 free eBooks that are in the public domain. From classic literature to historical documents, Project Gutenberg provides a wide range of PDF files that can be downloaded and enjoyed on various devices. The website is user-friendly and allows users to search for specific titles or browse through different categories. Another reliable platform for downloading Volvo Penta Aq Workshop Manual 270 free PDF files is Open Library. With its vast collection of over 1 million eBooks, Open Library has something for every reader. The website offers a seamless experience by providing options to borrow or download PDF files. Users simply need to create a free account to access this treasure trove of knowledge. Open Library also allows users to contribute by uploading and sharing their own PDF files, making it a collaborative platform for book enthusiasts. For those interested in academic resources, there are websites dedicated to providing free PDFs of research papers and scientific articles. One such website is Academia.edu, which allows researchers and scholars to share their work with a global audience. Users can download PDF files of research papers, theses, and dissertations covering a wide range of subjects. Academia.edu also provides a platform for discussions and networking within the academic community. When it comes to downloading Volvo Penta Aq Workshop Manual 270 free PDF files of magazines, brochures, and catalogs, Issuu is a popular choice. This digital publishing platform hosts a vast collection of publications from around the world. Users can search for specific titles or explore various categories and genres. Issuu offers a seamless reading experience with its user-friendly interface and allows users to download PDF files for offline reading. Apart from dedicated platforms, search engines also play a crucial role in finding free PDF files. Google, for instance, has an advanced search feature that allows users to filter results by file type. By specifying the file type as "PDF," users can find websites that offer free PDF downloads on a specific topic. While downloading Volvo Penta Aq Workshop Manual 270 free PDF files is convenient, its important to note that copyright laws must be respected. Always ensure that the PDF files you download are legally available for free. Many authors and publishers voluntarily provide free PDF versions of their work, but its essential to be cautious and verify the authenticity of the source before downloading Volvo Penta Aq Workshop Manual 270. In conclusion, the internet offers numerous platforms and websites that allow users to download free PDF files legally. Whether

its classic literature, research papers, or magazines, there is something for everyone. The platforms mentioned in this article, such as Project Gutenberg, Open Library, Academia.edu, and Issuu, provide access to a vast collection of PDF files. However, users should always be cautious and verify the legality of the source before downloading Volvo Penta Aq Workshop Manual 270 any PDF files. With these platforms, the world of PDF downloads is just a click away.

### **FAQs About Volvo Penta Aq Workshop Manual 270 Books**

How do I know which eBook platform is the best for me? Finding the best eBook platform depends on your reading preferences and device compatibility. Research different platforms, read user reviews, and explore their features before making a choice. Are free eBooks of good quality? Yes, many reputable platforms offer high-quality free eBooks, including classics and public domain works. However, make sure to verify the source to ensure the eBook credibility. Can I read eBooks without an eReader? Absolutely! Most eBook platforms offer webbased readers or mobile apps that allow you to read eBooks on your computer, tablet, or smartphone. How do I avoid digital eye strain while reading eBooks? To prevent digital eye strain, take regular breaks, adjust the font size and background color, and ensure proper lighting while reading eBooks. What the advantage of interactive eBooks? Interactive eBooks incorporate multimedia elements, quizzes, and activities, enhancing the reader engagement and providing a more immersive learning experience. Volvo Penta Aq Workshop Manual 270 is one of the best book in our library for free trial. We provide copy of Volvo Penta Aq Workshop Manual 270 in digital format, so the resources that you find are reliable. There are also many Ebooks of related with Volvo Penta Aq Workshop Manual 270. Where to download Volvo Penta Aq Workshop Manual 270 online for free? Are you looking for Volvo Penta Aq Workshop Manual 270 PDF? This is definitely going to save you time and cash in something you should think about. If you trying to find then search around for online. Without a doubt there are numerous these available and many of them have the freedom. However without doubt you receive whatever you purchase. An alternate way to get ideas is always to check another Volvo Penta Aq Workshop Manual 270. This method for see exactly what may be included and adopt these ideas to your book. This site will almost certainly help you save time and effort, money and stress. If you are looking for free books then you really should consider finding to assist you try this. Several of Volvo Penta Aq Workshop Manual 270 are for sale to free while some are payable. If you arent sure if the books you would like to download works with for usage along with your computer, it is possible to download free trials. The free guides make it easy for someone to free access online library for download books to your device. You can get free download on free trial for lots of books categories. Our library is the biggest of these that have literally hundreds of thousands of different products categories represented. You will also see that there are specific sites catered to different product types or categories, brands or niches related with Volvo Penta Aq Workshop



Manual 270. So depending on what exactly you are searching, you will be able to choose e books to suit your own need. Need to access completely for Campbell Biology Seventh Edition book? Access Ebook without any digging. And by having access to our ebook online or by storing it on your computer, you have convenient answers with Volvo Penta Aq Workshop Manual 270 To get started finding Volvo Penta Aq Workshop Manual 270, you are right to find our website which has a comprehensive collection of books online. Our library is the biggest of these that have literally hundreds of thousands of different products represented. You will also see that there are specific sites catered to different categories or niches related with Volvo Penta Aq Workshop Manual 270 So depending on what exactly you are searching, you will be able to choose ebook to suit your own need. Thank you for reading Volvo Penta Aq Workshop Manual 270. Maybe you have knowledge that, people have search numerous times for their favorite readings like this Volvo Penta Aq Workshop Manual 270, but end up in harmful downloads. Rather than reading a good book with a cup of coffee in the afternoon, instead they juggled with some harmful bugs inside their laptop. Volvo Penta Aq Workshop Manual 270 is available in our book collection an online access to it is set as public so you can download it instantly. Our digital library spans in multiple locations, allowing you to get the most less latency time to download any of our books like this one. Merely said, Volvo Penta Aq Workshop Manual 270 is universally compatible with any devices to read.

**Find Volvo Penta Aq Workshop Manual 270 :**

**kenworth w900 wiring schematic**

**soporte vital cardiovascular avanzado en espaã±ol svca/acls**

[lego mindstorms nxt mars base command](#)

[hazmat familiarization and safety in transportation exam](#)

*activate b2 use of english*

**isuzu 3ld1 parts manual**

[toyota corolla haynes repair manual covering all models](#)

[solutions e1 download](#)

**the 1980s countdown to armageddon**

**who was a mourner case study answers**

**workshop manual volvo fl6 gearbox**

[dreamland the way out of juarez](#)

[elias m awad system analysis design galgotia publications](#)

[elfunk tv manual](#)

bridging the gap 11th edition

**Volvo Penta Aq Workshop Manual 270 :**

*comment vivre en bonne santé au 21e siècle la méthode des 5 piliers alimentation saine activité physique adaptée* - Aug 04 2023

web comment vivre en bonne santé au 21e siècle la méthode des 5 piliers alimentation saine activité physique adaptée relaxation anti stress Épanouissement

*comment vivre en bonne santé au 21e siècle la méthode des 5 piliers alimentation saine activité physique adaptée* - Jan 29 2023

web transformation is actually remarkable this extraordinary book aptly titled comment vivre en bonne santé au 21e siècle la méthode des 5 piliers alimentation saine activité physique adaptée compiled by a highly acclaimed author

comment vivre en bonne santé au 21e siècle la méthode des 5 piliers alimentation saine activité physique adaptée - May 21 2022

web may 5 2019 comment vivre en bonne santé au 21e siècle la méthode des 5 piliers alimentation saine activité physique adaptée relaxation anti stress Épanouissement

comment vivre en bonne santé au 21e siècle la méthode des 5 piliers alimentation saine activité physique adaptée - May 01 2023

web of noise and distractions yet nestled within the musical pages of comment vivre en bonne santé au 21e siècle la méthode des 5 piliers alimentation saine activité physique adaptée a captivating perform of literary beauty that pulses

**guide de voyage touristique à santa cameroun petit futé** - Jan 17 2022

web le guide santa lieux incontournables idées de séjour itinéraires infos pratiques et culturelles de santa et les bonnes adresses du petit futé pour se restaurer sortir se

comment vivre en bonne santé au 21e siècle la méthode des 5 piliers alimentation saine activité physique adaptée - Oct 06 2023

web comment vivre en bonne santé au 21e siècle la méthode des 5 piliers alimentation saine activité physique adaptée principles of contract law steven j burton 2018 hardbound new hardbound print book love and power eudine

comment vivre en bonne santé au 21e siècle la méthode des 5 piliers alimentation saine activité physique adaptée - Sep 24 2022

web 2 comment vivre en bonne santé au 21e siècle la méthode des 5 piliers alimentation saine activité physique adaptée 2020 10 18 moment ou un autre de notre existence vous avez tout pour tre heureux une charmante compagne une

*santa traduction en français exemples anglais reverso context* - Apr 19 2022

web nom santa père noël m sainte père noël voir plus play santa needs to deliver all presents to the houses jouer santa doit fournir tous les présents aux maisons not long

*comment vivre en bonne santé au 21e siècle la méthode des 5 piliers alimentation saine activité physique adaptée* - Dec 28 2022

web may 2 2019 comment vivre en bonne santé au 21e siècle la méthode des 5 piliers alimentation saine activité physique adaptée relaxation anti stress Épanouissement

**santé comment mieux vivre au 21e siècle les secrets d un** - Aug 24 2022

web nov 24 2019 nancy meurthe et moselle grand est trois découvertes scientifiques récentes permettent aujourd'hui à chacun d'entre nous de vivre plus longtemps en

**comment vivre en bonne santé au 21e siècle la pdf** - Mar 31 2023

web comment vivre en bonne santé au 21e siècle la 1 comment vivre en bonne santé au 21e siècle la when somebody should go to the book stores search

comment vivre en bonne santé au 21e siècle la download - Sep 05 2023

web 4 comment vivre en bonne santé au 21e siècle la 2021 11 27 hommes ou des femmes en fauteuils roulants diabétiques ou obses des personnes qui ne se

*comment vivre en bonne santé au 21e siècle la 2022* - Jul 23 2022

web bien vivre c'est simple comment vivre en bonne santé au 21e siècle la méthode des 5 piliers alimentation saine activité physique adaptée relaxation anti stress Épanouissement

comment vivre en bonne santé au 21e siècle la pdf - Oct 26 2022

web comment vivre en bonne santé au 21e siècle la 1 6 downloaded from uniport.edu.ng on may 28 2023 by guest

comment vivre en bonne santé au 21e siècle you have

le livre comment vivre en bonne santé au 21ème siècle - Jun 02 2023

web jul 22 2019 la méthode des 5 piliers pour vivre en bonne santé alimentation activité physique relaxation

Épanouissement personnel sommeil alexandre auffret

comment vivre en bonne santé au 21e siècle la pdf pdf - Nov 26 2022

web jun 16 2023 comment vivre en bonne santé au 21e siècle la pdf this is likewise one of the factors by obtaining the soft documents of this comment vivre en bonne

how to be a good santa claus 7 steps with pictures wikipedi - Dec 16 2021

web jun 10 2023 smile laugh and ho ho ho as much as possible some people feel self-conscious about acting so jolly but if you have a great costume on people will not know

**ce qu'il faut savoir sur la pilule contraceptive bbc** - Feb 15 2022

web nov 7 2023 à en croire certaines études la pilule contraceptive combinée ou progestative peut être un facteur de risque pour certains cancers notamment du sein

comment vivre en bonne santé au 21e siècle la full pdf - Feb 27 2023

web comment vivre en bonne santé au 21e siècle la 30 ans sans médicaments biographie universelle classique ou dictionnaire historique portatif ouvrage entièrement

**comment vivre en bonne santa c au 21e sia cle la pdf** - Jul 03 2023

web comment vivre en bonne santa c au 21e sia cle la downloaded from cybersmash io by guest isabel dickson les petits livres illustres pour vivre

**traduction santa en français dictionnaire anglais français** - Mar 19 2022

web studio located in santa margarita a few meters from the beach studio santa margarita situé à quelques mètres de la plage voir plus d exemples de traduction anglais français en

**comment se préparer à vivre la semaine sainte aleteia** - Jun 21 2022

web mar 27 2021 bien sûr la préparation matérielle de la semaine sainte n est pas ce qu il y a de plus important mais elle pose les repères qui vont permettre de vivre pleinement

[the baha i faith the emerging global religion wikipedia](#) - Aug 15 2023

web the baha i faith the emerging global religion is a 1984 book written by william hatcher and douglas martin on the baha i religion the book has been designated by the encyclopaedia britannica as one of the ten books of the year that have made significant contributions to knowledge and understanding in the domain of religion

**the baha i faith the emerging global religion book** - Oct 05 2022

web the baha i faith the emerging global religion is a 1984 book written by william hatcher and douglas martin on the baha i religion the book has been designated by the encyclopaedia britannica as one of the ten books of the year that have made significant contributions to knowledge and understanding in the domain of religion

**the baha i faith the emerging global religion paperback** - Sep 04 2022

web buy the baha i faith the emerging global religion new by hatcher william isbn 9781931847063 from amazon s book store everyday low prices and free delivery on eligible orders the baha i faith the emerging global religion amazon co uk hatcher william 9781931847063 books

**the bahá í faith the emerging global religion hatcher william s** - May 12 2023

web the bahá í faith the emerging global religion by hatcher william s martin j douglas james douglas

*the bahá í faith the emerging global religion william s* - Mar 30 2022

web explore the history teachings structure and community life of the world wide baha i community what may well be the most diverse organized body of people on earth through this revised and updated comprehensive introduction 2002

**the baha i faith the emerging global religion amazon com tr** - Mar 10 2023

web the baha i faith the emerging global religion hatcher william amazon com tr kitap

**the baha i faith** - Feb 26 2022

web the baha i faith the emerging global religion by william s hatcher and douglas martin wilmette bahá í publishing trust

1985 2011 1 english version e book available

**the bahá í faith the emerging global religion william s hatcher** - Apr 11 2023

web jan 1 1985 this book written by william s hatcher and j douglas martin offers an overview of the baha i faith and then focuses on it role as an emerging global religion it has served as a core secondary source for a research paper i am writing and has been the most relevant to the thesis of my paper

**the baha i faith the emerging global religion goodreads** - Dec 07 2022

web jul 1 1990 the baha i faith the emerging global religion william s hatcher douglas martin 3 93 69 ratings8 reviews explore the history teachings structure and community life of the world wide baha i community what may well be the most diverse organized body of people on earth through this revised and updated comprehensive introduction 2002

*the baha i faith the emerging global religion google books* - Jan 08 2023

web explore the history teachings structure and community life of the world wide baha i community what may well be the most diverse organized body of people on earth through this revised and

*the bahá í faith the emerging global religion worldcat org* - Feb 09 2023

web this is a study of the history teachings administrative structure and community life of the baha i faith the youngest and fastest growing of the world s independent religions

*the baha i faith the emerging global religion amazon com* - Jul 14 2023

web jan 1 2002 this book written by william s hatcher and j douglas martin offers an overview of the baha i faith and then focuses on it role as an emerging global religion it has served as a core secondary source for a research paper i am writing and has been the most relevant to the thesis of my paper

**free the bahai faith the emerging global religion engl** - Jan 28 2022

web apr 4 2023 the bahai faith the emerging global religion engl pantheon aug 16 2020 from one of the world s leading authorities on the subject an innovative and comprehensive account of religion in the ancient roman and mediterranean world in this ambitious and authoritative book jörg

baha i faith in turkey the religion and public life at harvard - Jun 01 2022

web turkey has a longstanding baha i faith community which today numbers roughly 10 000 the baha i faith was founded in 19 th century iran by mirza hosayn ali nuri baha ullah d 1892 and developed from babism an iranian messianic movement and shi a shaikhism baha is acknowledge numerous prophets including muhammad jesus krishna

**the baha faith the emerging global religion paperback** - Nov 06 2022

web named by the encyclopedia britannica as a book that has made significant contributions to the knowledge and understanding of religious thought the baha i faith covers the most recent developments in a faith that in just over 150 years

has grown to become the second most wide spread of the independent world religions

*the baha i faith the emerging global religion alibris* - Apr 30 2022

web named by the encyclopedia britannica as a book that has made significant contributions to the knowledge and understanding of religious thought the baha i faith covers the most recent developments in a faith that in just over 150 years has grown to become the second most wide spread of the all from 1 45 new books from 7 66

**the baha i faith the emerging global religion google books** - Aug 03 2022

web this is a study of the history teachings administrative structure and community life of the baha i faith the youngest and fastest growing of the world s independent religions from inside the book what people are saying write a review

the bahá í faith the emerging global religion google books - Sep 16 2023

web the bahá í faith the emerging global religion william s hatcher james douglas martin google books explore the history teachings structure and community life of the world wide

baha i faith the emerging global religion hardcover - Jul 02 2022

web buy baha i faith the emerging global religion 3 by hatcher william s martin j douglas isbn 9780877432647 from amazon s book store everyday low prices and free delivery on eligible orders

**the bahá í faith the emerging global religion hatcher william s** - Jun 13 2023

web jan 24 2022 bahai faith publisher wilmette ill bahá í pub trust collection inlibrary printdisabled internetarchivebooks contributor internet archive language english

**character reference sample letter for immigration purposes** - Aug 04 2022

web character reference sample letter for immigration purposes reference letters to immigration offices guide letter example grammar checker 8000 letters

**character reference letter for immigration sample example** - Jun 02 2022

web nov 1 2020 written as a recommendation in support of someone who is immigrating an immigrant a character reference letter for immigration highlights the trustworthiness morality and good character of the immigrant highlighting the immigrant s positive traits in the purpose of such a letter

**character reference letter for immigration docformats com** - Dec 08 2022

web as the name suggests this reference letter for immigration mainly focuses on defining the person in question character relationship support letter this type of recommendation letter for immigration is usually written by relatives or the spouse of the person in question to convince the immigration office that the immigrant is related to them

**immigration reference letter for a friend 2023 guide 5 samples** - Jul 03 2022

web jun 1 2023 isack kimaro 1 june 2023 an immigration reference letter for a friend is a document written by someone

who knows an immigrant a friend personally and can provide information about his character skills and qualifications

**character reference letter for immigration 23 best samples** - May 13 2023

web 10 min read character reference letter for immigration 23 best samples if you have to write a character reference letter for immigration you would be helping someone whether a family member friend or employee with their immigration application

**character reference letter for immigration template examples** - Jul 15 2023

web aug 24 2023 character reference letter sample 1 to whom it may concern it is with great pleasure that i am able to provide this letter on behalf of my good friend and neighbor mustafah who has just applied to immigrate to the united states from jordan

**how to write a character reference letter for immigration** - Oct 06 2022

web mar 14 2019 the character issue the body is the heart of the letter beginning with the second paragraph provide specific examples of the applicant s good character first identify a good character trait the applicant possesses such as a willingness to help persons less fortunate

*character reference letter for immigration form* - Nov 07 2022

web apr 18 2022 a character reference letter for immigration highlights the applicant s positive characteristics such as dependability a high level of responsibility and others try to give as many details on the immigrants background and their characteristics to increase their chances of acquiring the immigrant status

36 free immigration letters character reference letters - Mar 11 2023

web when you intend to write an immigration letter of recommendation do some research about it first online resources such as this one provides a great collection of good moral character letter for immigration samples and other types of immigration letters such as character reference letter for immigration

character reference letter for immigration sample examples - Jan 29 2022

web dec 6 2022 character reference letter for immigration is the letter that comes into play when a person applies for the citizenship of any other country this character letter for immigration plays a huge role there while considering or analyzing the character of the immigration applicant

good moral character letter for immigration 30 best samples - Apr 12 2023

web good moral character letter for immigration 30 best samples a letter attesting to someone s good character is a reference letter written for a friend colleague or employee seeking naturalization in which the writer speaks positively about the

sample immigration letter of recommendation for family - Jan 09 2023

web download fill in and print immigration letter of recommendation for family pdf online here for free immigration letter of recommendation for family is often used in letter of recommendation for immigration template reference letter template reference check form and letters

[immigration reference letter for a family member 2023 edition](#) - Aug 16 2023

web mar 3 2022 below is a sample immigration letter of recommendation for a family member introduction honorable immigration judge my name is juan valdez i am 35 years old and am grateful to have the opportunity to write this letter on behalf of my cousin davide valdez who applied for immigration to the united states

**immigration reference letter sample letters templates** - Sep 05 2022

web provided below are free immigration reference letter templates and example which you can download and use easily and instantly they have been professionally crafted to deliver accuracy in your document

**character reference letter for immigration format samples** - Jun 14 2023

web a character reference letter for immigration is written to attest to the excellent character of an applicant it raises their chances of getting a positive response when drafting this letter you should add a personal touch and mention the positive qualities of the subject

**character reference letters for immigration with templates** - Dec 28 2021

web to emran nautiyal san antonio texas 1 345 582 3495 nautiyal95 gmail com subject good moral character reference letter for immigration on behalf of a neighbor respected judge i jubin hashmi on behalf of khizar arif want to enlighten his positive character as a character reference letter to you

**sample of character reference letter for immigration** - May 01 2022

web apr 3 2020 we hope that this sample of the character reference letter for immigration would provide you with the basic insight of writing this letter in an effective manner character reference letter template for immigration in pdf word

**30 best reference letter for immigration samples** - Feb 10 2023

web aug 18 2020 1 reference letter for immigration 2 what is a reference letter for immigration 3 how do i write a reference letter for immigration 4 good moral character letters 5 what should i include in a letter of reference for immigration 6 what is a good moral character letter 7 character reference letter for immigration

[\*immigration reference letter for a family member 2023 edition\*](#) - Mar 31 2022

web mar 3 2022 ein immigration reference letter for a family portion can make a difference learn how to write the best immigration letter of recommendation that will get your relative closer till joining you in that u s

**free 4 character reference for immigration recommendation letters** - Feb 27 2022

web what is a character reference for immigration recommendation letter free 4 character reference for immigration



recommendation letters in pdf 1 immigration response letter 2 immigration reference letter sample 3 immigration character reference responsibilities letter 4 sample immigration reference letter for